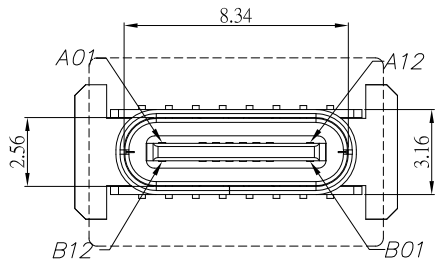




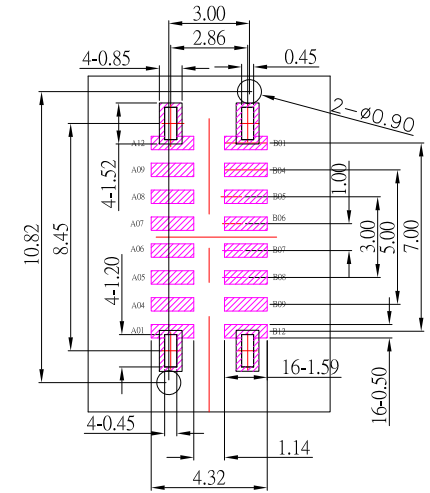
SBC-160VSEx-20xx-S412



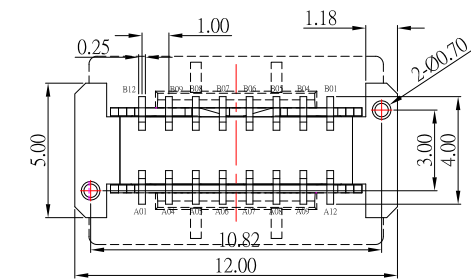
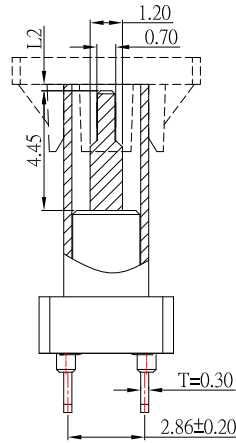
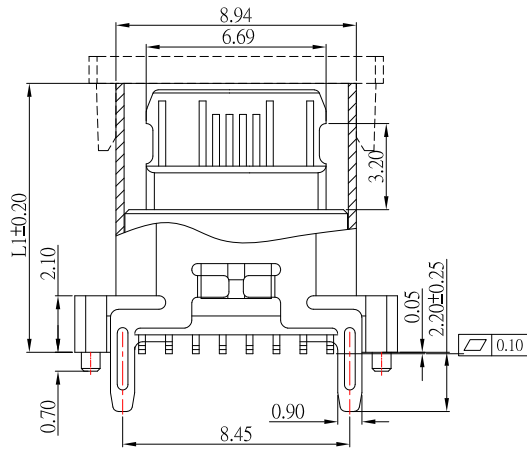
| | | | | | | | |
|----|------|-------|-------|-------|-------|-------|-------|
| | A | B | C | D | F | J | K |
| L1 | 9.30 | 10.00 | 10.50 | 12.40 | 13.10 | 13.70 | 15.00 |
| L2 | 0.46 | 0.24 | 0.74 | 0.00 | 0.70 | 1.30 | 0.55 |

Housing Color :
 BLANK Black
 B Blue

鍍層厚度 :
 Blank : 1u"
 2 : 15u"
 3 : 30u"



RECOMMENDED P.C.B. LAYOUT
TOP VIEW



| | | | |
|-----|-------------|-----|-------------|
| A1 | GND | B12 | GND |
| A4 | VBUS | B9 | VBUS |
| A5 | CC1 | B8 | SBU2 |
| A6 | D+ | B7 | D- |
| A7 | D- | B6 | D+ |
| A8 | SBU1 | B5 | CC2 |
| A9 | VBUS | B4 | VBUS |
| A12 | GND | B1 | GND |
| PIN | SIGNAL NAME | PIN | SIGNAL NAME |

SPECIFICATIONS

Electrical:

1. Dielectric Withstand Voltage: 100V AC
2. Contact Resistance: 40 mΩ Max
3. Insulation Resistance: 100 MΩ Min

Mechanical:

1. Connector Mate and Unmate Force
 - 1.1 Mate force: 5~20 N
 - 1.2 Unmate force: 8~20 N

Material:

1. Housing: LCP
2. Contact: C7025
3. Shell: SUS

Finish:

1. Contact: Plated Gold in Mating Area ;
Gold Plated on Solder Balls ;
Nickel under plated overall
2. Shell: Nickel under Plated surface layer

| | | | |
|----------|-------------------|-------|--------|
| 17 | 新增Housing Color選項 | Jack | 032825 |
| 16 | 新增PCB LAYOUT樣式尺寸 | Jack | 042823 |
| 15 | 刪除高度尺寸8.8選項 | Jack | 040623 |
| 14 | 新增高度尺寸選項 | Jack | 030123 |
| 13 | 更新料號 | Jack | 011823 |
| ITEM NO. | DESCRIPTION | DRAWN | DATE |

建倚科技股份有限公司
CONTACT TECHNOLOGY CORP.

TOLERANCE UNLESS OTHERWISE STATED :
 Up to 5 ±0.2
 Above 5 ~ 15 ±0.3
 Above 15 ~ 30 ±0.4
 Above 30 ~ 50 ±0.5
 Angle ±0.3

3RD. ANGEL'S

 UNITS MM

| | | | | |
|--------------|----------|-----------|----------|--------------------------|
| DRAWN BY: | DATE | MAT'L | TITLE | CONNECTOR |
| Jack Lu | 03/28/25 | | | |
| CHECKED BY: | DATE | FINISH | MODLE | TYPE C 16P 180度 SMT 帶定位柱 |
| Jacky Chen | 03/28/25 | | | |
| APPROVED BY: | DATE | SCALE | DWG NO. | SBC-160VSEx-20xx-S412 |
| Tony Kao | 03/28/25 | 1 : 1 | PART NO. | SBC-160VSEx-20xx-S412 |
| | | SHEET NO. | 1 of 1 | |
| | | | SIZE | A4 |
| | | | VER | R17 |